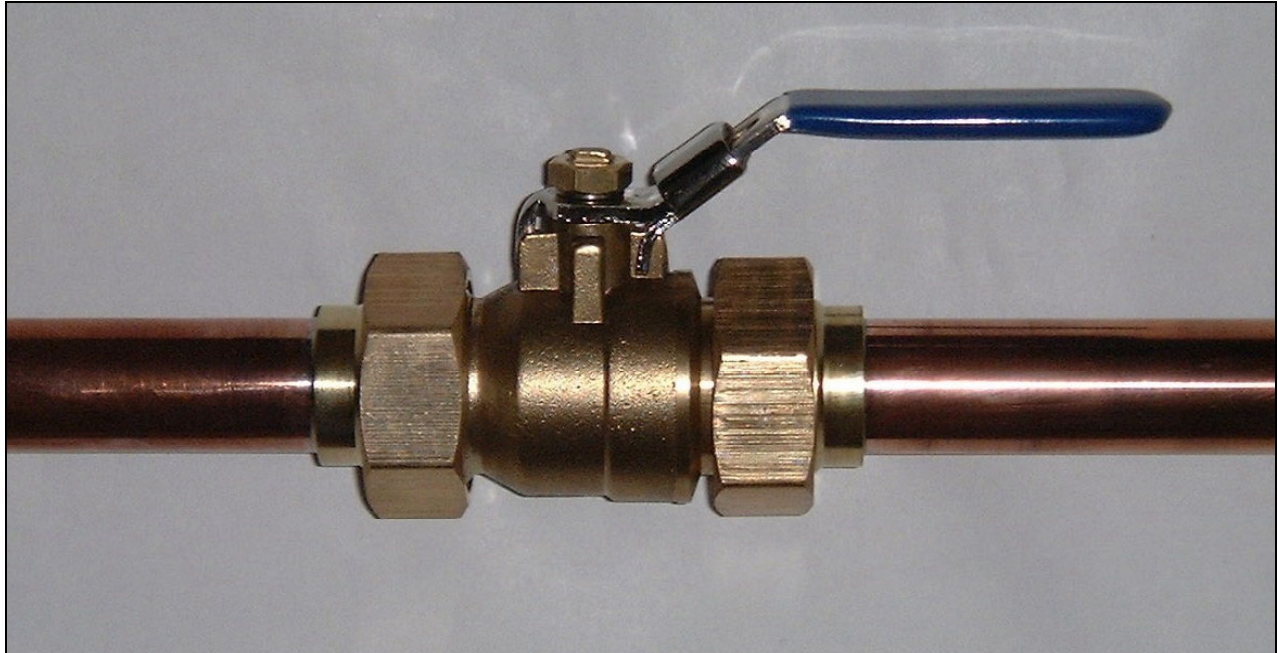


LOCKABLE LINE VALVE



Description

Lockable Line Valves consist of a purpose designed male threaded brass ball valve fitted with copper pipe stubs. The copper pipe stubs enable installation utilising fluxless brazing to WKO(82)1. The flat face union between stub and valve incorporate o-ring seals ensuring gas tight connections. The valve handle is lockable in the open or closed position to prevent unauthorised or inadvertent operation of the valve.

Rated for use up to 2500 kPa Lockable Line Valves are available for standard pipe work sizes from ϕ 15mm to ϕ 54mm. Larger sizes are also available.

Cleaning and Testing

P3 Lockable Line Valves Are 100% tested for leaks to atmosphere and isolation when in the closed position.

All components are bright acid dipped and vapour degreased prior to assembly.

Designed to meet the requirements of;

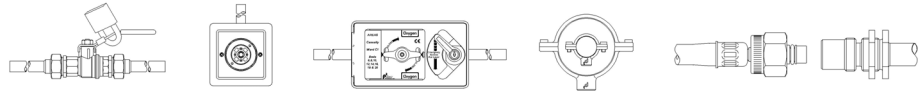
- **HTM 2022** **Medical Gas Pipeline Systems.**
- **C11** **NHS Model Engineering Specification – Medical Gases.**
- **BS EN 737-3** **Pipelines for compressed medical gases and vacuum.**



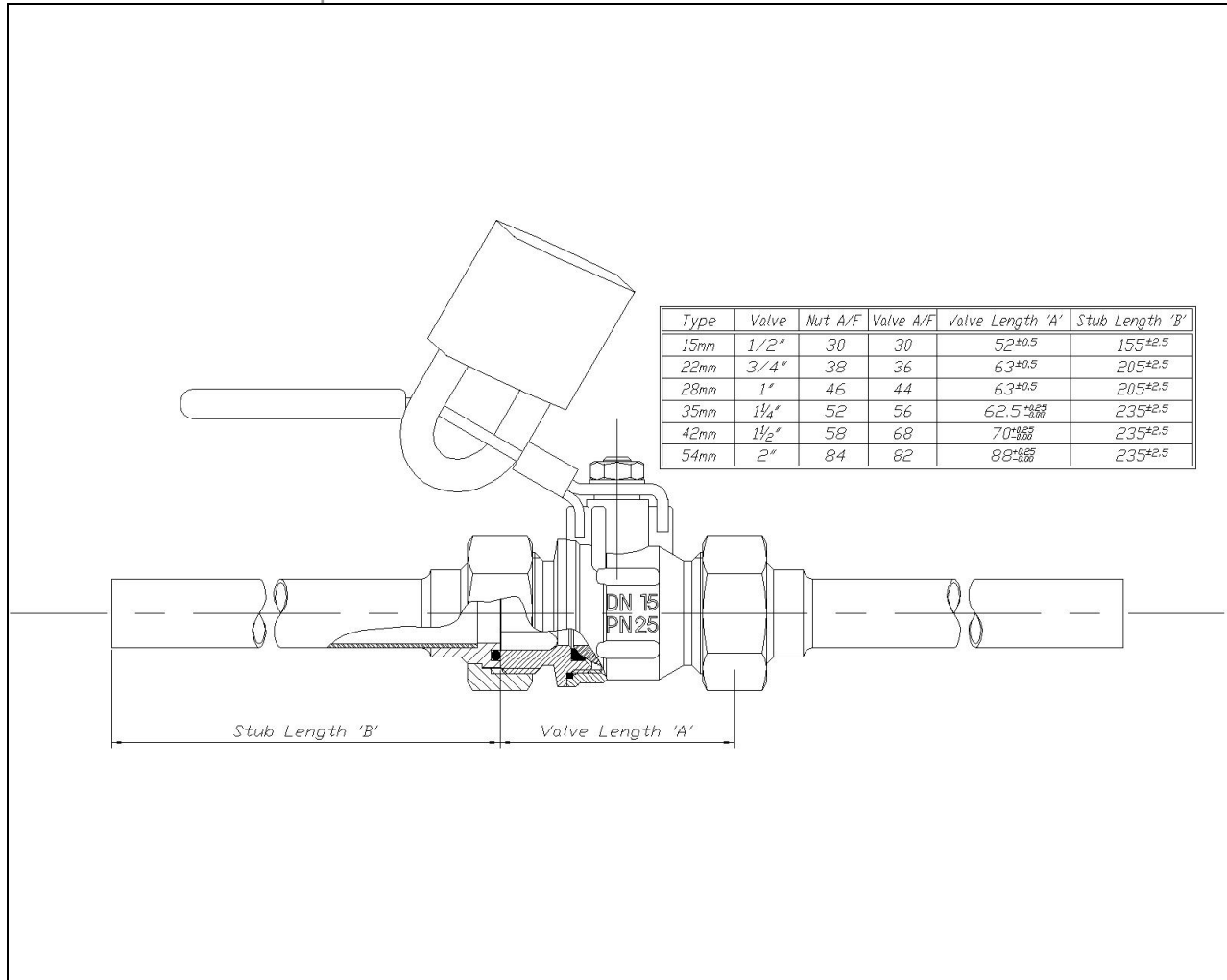
Phoenix Pipeline Products Limited.

Unit 8, McKenzie Industrial Park,
Bird Hall Lane,
Stockport,
U.K., SK3 0SB

Tel No.: +44 (0) 161 428 7200
Fax No.: +44 (0) 161 428 7010
www.p3-phoenix.com
Email: info@p3-phoenix.com



LOCKABLE LINE VALVE



Materials of construction

Component	Material
Valve Body	Brass CZ122
Ball	Brass CZ122 & Nickel Plate
Stem	Brass CZ122
'O' Rings	NBR
Ball Seals	PTFE
Pipe Flanges	Brass CZ122
Solder	AG 103
Copper Stubs	In Accordance with BS EN 13348

Suitable for use with the following medical and laboratory gases

O ₂
N ₂ O
O ₂ /N ₂ O
Air
Vacuum
CO ₂
Helium
Hydrogen
Argon
Nitrogen
Mixtures of the above

For other gases please consult our technical department



Phoenix Pipeline Products Limited.

Unit 8, McKenzie Industrial Park,
Bird Hall Lane,
Stockport,
U.K., SK3 0SB

Tel No.: +44 (0) 161 428 7200
Fax No.: +44 (0) 161 428 7010
www.p3-phoenix.com
Email: info@p3-phoenix.com